

Trailer mounted XT series

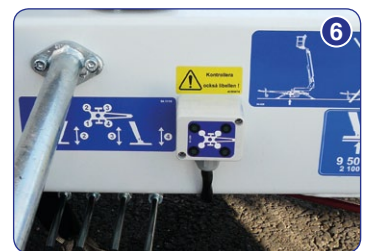
Standard features in all DINO XT-models:

- Driving system; easy to move at work site (picture 1)
- Spacious basket; capacity 215 kg (picture 2)
- Large outrigger plates 280 x 360 mm (picture 3)
- Continuous rotation of the boom; easy and functional
- Stable to tow



Options for all DINO XT-models:

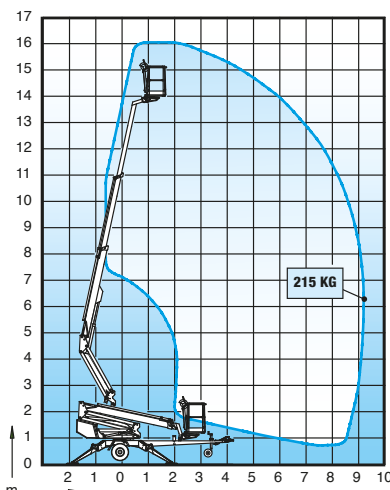
- Cable steering for driving (picture 4)
- Two joystick steering (picture 5)
- Outrigger limit switch indicator (picture 6)
- Petrol or diesel power pack (petrol power pack standard in 210XT and 260XTD)
- Automatic leveling



DINO® 160XT

- **Maximum outreach with full basket load**
- **Compact size**
- **Transport length only 5.99 m**
- **Total weight less than 2000 kg including engine**

Technical data



Max. working height	16.00 m
Max. platform height	14.00 m
Max. outreach	9.10 m
Support width	3.8/4.2 m
Lifting capacity	215 kg
Basket size	0.70 x 1.30 m
Boom rotation	cont.
Basket rotation	90°
Boom control	proport.
Transport length	5.99 m
Transport width	1.80 m
Transport height	2.29 m
Weight	1960 kg
Driving system	std
AC-socket in the basket x 2	std
Electro motor	std
Petrol power pack	opt.
Diesel power pack	opt.
Gradeability	25%

